

ISO 9001 **AV** **AUTOMATIC VALVE**



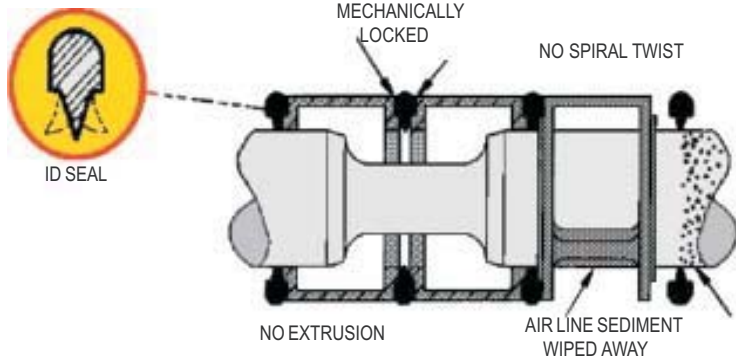
World Class Pneumatic Solutions

Distributore
Esclusivo
per L'Italia

FARBO
-AUTOMATION

Features

Tapered Tee Seal....Eats Dirt



Tapered Flex Seal...

Compact Design



- Bi-Directional tapered Seal lip flexes to clean surface.

Eliminates Monday morning sticking problems..

- Tested tough and proven reliable according to SAE specifications.
- **Rust and water injected every 864,000 cycles for 20 million cycles..**
- Available for use in both air and vacuum service.
- 50 Micron filtration is all that is needed..... **NO need to buy 2-5 micron filters..**
- Molded from superior, tough, Carboxylated Nitrile. Provides five times the abrasion resistance and service life of Buna-n-seals.



Solenoid.... Guaranteed against burnout

- Three-way pilot uses full air line pressure to shift the valve spool.
 - Pilot is internally supplied when the pressure at port 1 is 35 to 150 psig (2 to 10 bar).
 - Coil is hermetically sealed as an integral water tight molded unit.
- Intrinsically safe and explosion-proof versions available.



Company

Quality



- Located in Novi, Michigan, USA. Established 1945.
- **AV** is represented through a global sales and distribution network.
- Pneumatic applications include Industrial Automation, Automotive, Process Control, Aluminum Smelter, and Power Generation.

Systems

- Automatic Valve quality assurance systems meet requirements of 10CFR50B, ANSI N45.2, and ISO 9001:2000.
- Responsibility for the reportability of defects under 10CFR21 is accepted.

Products

- Commercial products certified to CSA, PTB, and UL standards.
- Safety related products qualified for harsh environmental conditions, continuous operation during a LOCA event.
- Safety related products environmentally qualified to IEEE standards 323, 344, and 382.



Line Mounted

.....Compact

- **L Series** • 3/2, 5/2, 5/3 • 10-32" - 1" Line mounted compact valves for low cost, high volume OEMs. All valves available with manifold mounting. Stainless steel valves for corrosion resistance.



Actuator Mounted

.....Low Profile

- **D Series** • 3/2, 5/2, 5/3 • 1/4" Namur mounted compact valves for the actuator market.

Products



Inline Ported

.....High Flow

- **K Series** • 2/2, 3/2 • 1/8" - 1/4" Inline mounted miniature valves for low cost space saving applications.
- **P Series** • 2/2, 3/2 • 1/4" - 1 1/2" Inline mounted valves for high flow applications.



Base Mounted

.....Interchangeability

- **A Series** • 5/2, 5/3 • 1/8" - 1 1/2" Automotive sub-base valves for faster installation and maintenance with SAE interchangeability.
- **F Series** • 5/2, 5/3 • 1/4", 3/8" Plug-in valves, supporting multiple protocols with high flow for field bus and manifold applications.
- **I Series** • 5/2, 5/3 • 1/4" - 3/4" International sub-base valves for faster installation and maintenance. With ISO 5599/1 Interchangeability.





AUTOMATIC VALVE

41144 Vincenti Court Novi, MI USA 48375-1922
 Internet Address www.automaticvalve.com
 Telephone 248.474.6700 Facsimile 248.474.6732
World Class Pneumatic Solutions

Series	FLOW	TYPE			MOUNTING			PORT SIZE (NPT, G)							POSITION		OPERATORS				
	Cv	ID Seal	OD Seal	Poppet	Line	Namur	Base	1/8	1/4	3/8	1/2	3/4	1	1 1/4	1 1/2	2	3	Solenoid	Air	Manual	
4 WAY VALVES (Can be plugged for 2 and 3 way)																					
A	2.4	*					*		*								*	*	*	*	*
	8.6	*					*			*	*	*					*	*	*	*	*
	13.7	*					*			*	*	*					*	*	*	*	*
	22.7	*						*					*	*	*		*	*	*	*	*
D	0.6					*		*									*	*	*	*	*
	1.8	*				*		*									*	*	*	*	*
F	1.6		*			*		*	*								*	*	*	*	*
I	1.5	*				*											*	*	*	*	*
	2.0	*				*											*	*	*	*	*
	4.5	*				*											*	*	*	*	*
L	0.4		*		*	*	*										*	*	*	*	*
	0.7	*			*	*	*	*									*	*	*	*	*
	2.0	*			*	*	*	*									*	*	*	*	*
	5.0	*			*	*	*	*	*								*	*	*	*	*
	9.5	*			*	*	*	*	*	*							*	*	*	*	*
2 AND 3 WAY VALVES																					
K	0.1			*		*	*	*	*								*	*	*	*	*
	0.4			*		*	*	*	*								*	*	*	*	*
	0.8			*		*	*	*	*								*	*	*	*	*
L	1.8		*		*	*	*	*	*								*	*	*	*	*
	4.8	*			*	*	*	*	*	*							*	*	*	*	*
P	5.5			*		*	*	*	*								*	*	*	*	*
	13.8			*		*	*	*	*	*							*	*	*	*	*
	33.8			*		*	*	*	*	*	*						*	*	*	*	*

Distributed by:



Via Picasso, 2-4 40033 Casalecchio di Reno - (BO) - ITALY
 Tel. +39-051-6419530 - Fax +39-051-6419522

email: info@farbo.it - www.farbo.it